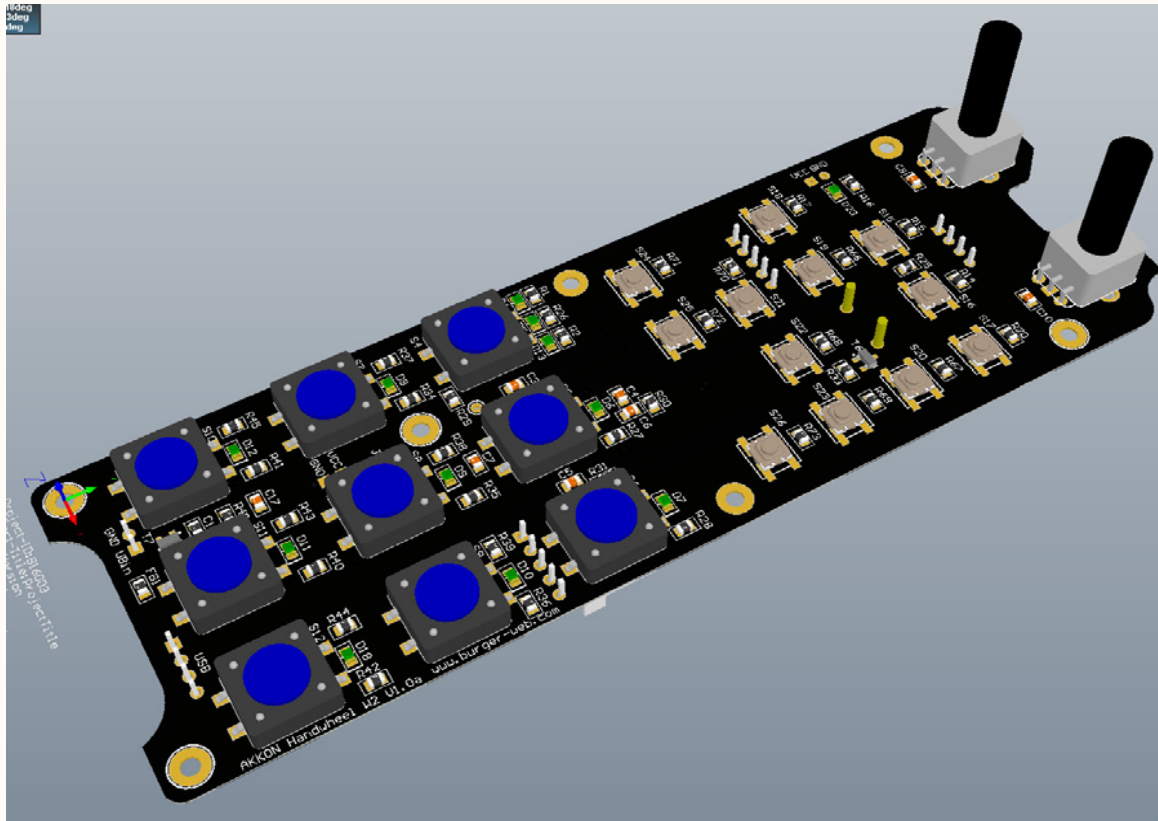



Project:AKKON_HandWheel_W3_V1_0.PrjPcb
 Project number: B16003



Title: Overview		Project ID: B16003
Project: AKKON Handwheel W3		
Author: Gerhard Burger		 www.burger-web.com
Approved:		
Date: 06.11.2017	Time: 10:06:53	
Page: 1 of 8		
Version: 1.0	Schem. Rev.: 1.01	
File: Overview.SchDoc		A4

This material is protected by copyright. All rights reserved.
 Please contact the publisher for permission to copy, distribute or reprint.

1

2

3

4

A

A

B

B

C

C

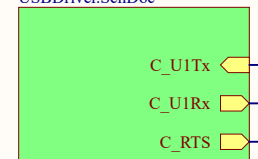
D

D

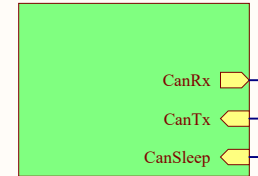
Controller
Controller.SchDoc

KeyPad
KeyPad.SchDoc

USB Driver
USBDriver.SchDoc



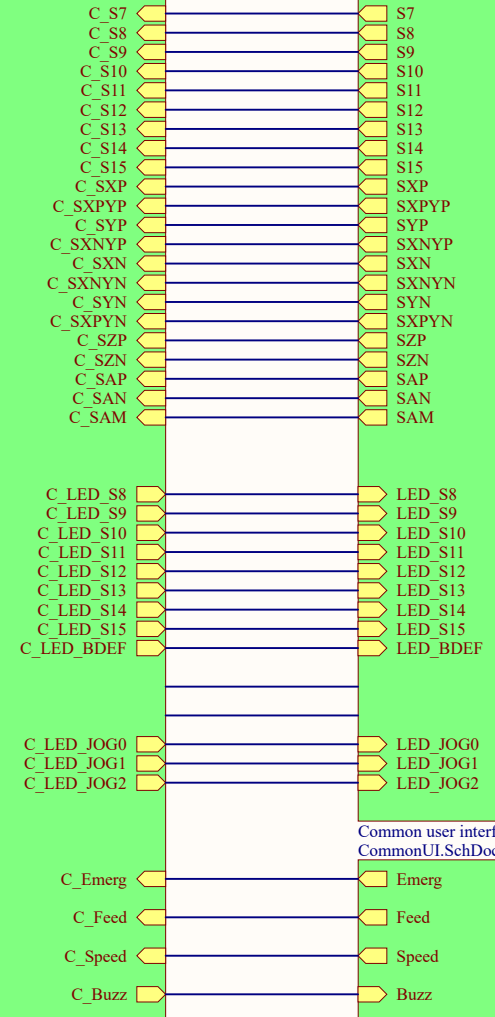
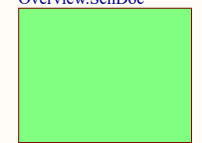
CAN Driver
CanDriver.SchDoc



Power
Power.SchDoc



Project overview
Overview.SchDoc



Place nylon washers on mounting holes between case and PCB
E.g. washer M2.5, Duratol, nylon, Farnell 7047472

Title: Architecture		Project ID: B16003
Project: AKKON Handwheel W3		
Author: Gerhard Burger		 www.burger-web.com
Approved:		
Date: 06.11.2017	Time: 10:06:53	
Page: 2 of 8		
Version: 1.0	Schem. Rev.: 1.01	
File: Handwheel.SchDoc		A4

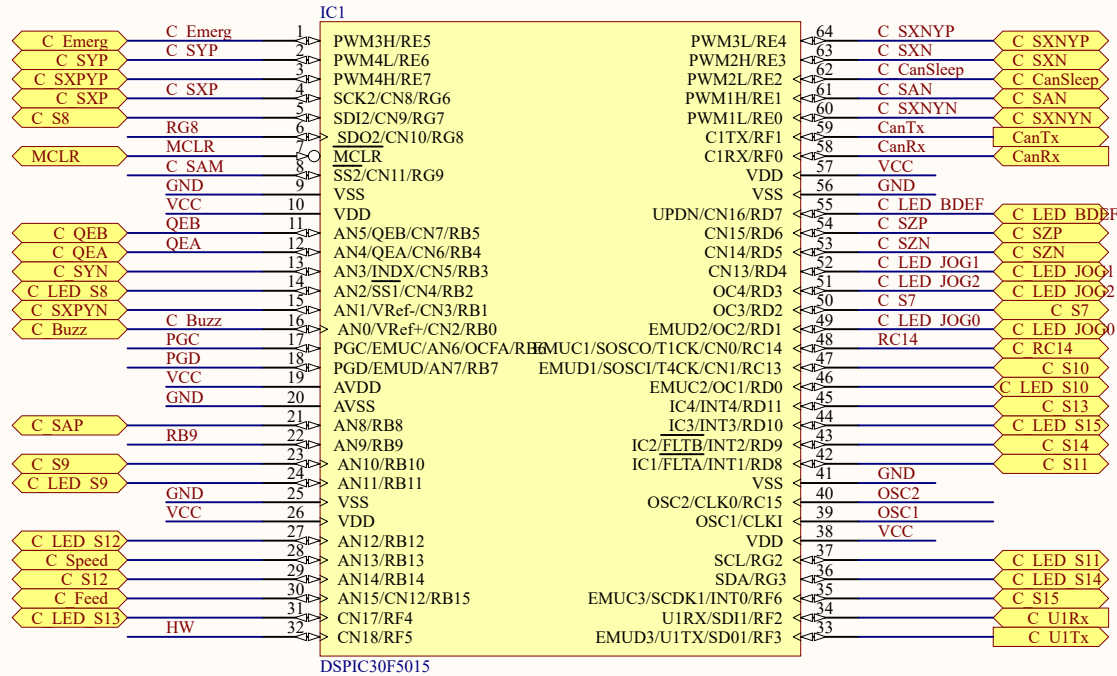
This material is protected by copyright. All rights reserved.
Please contact the publisher for permission to copy, distribute or reprint.

1

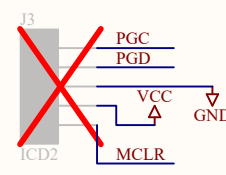
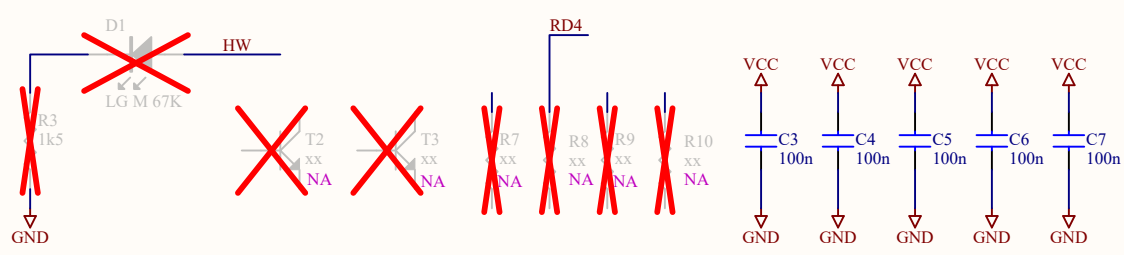
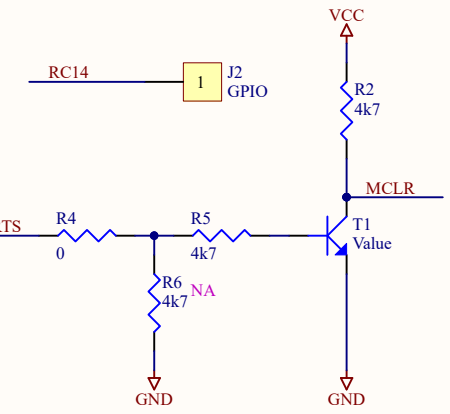
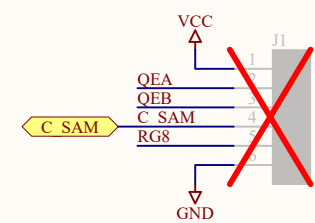
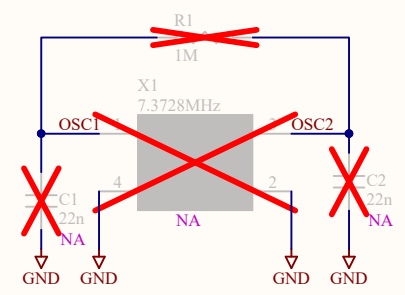
2

3

4



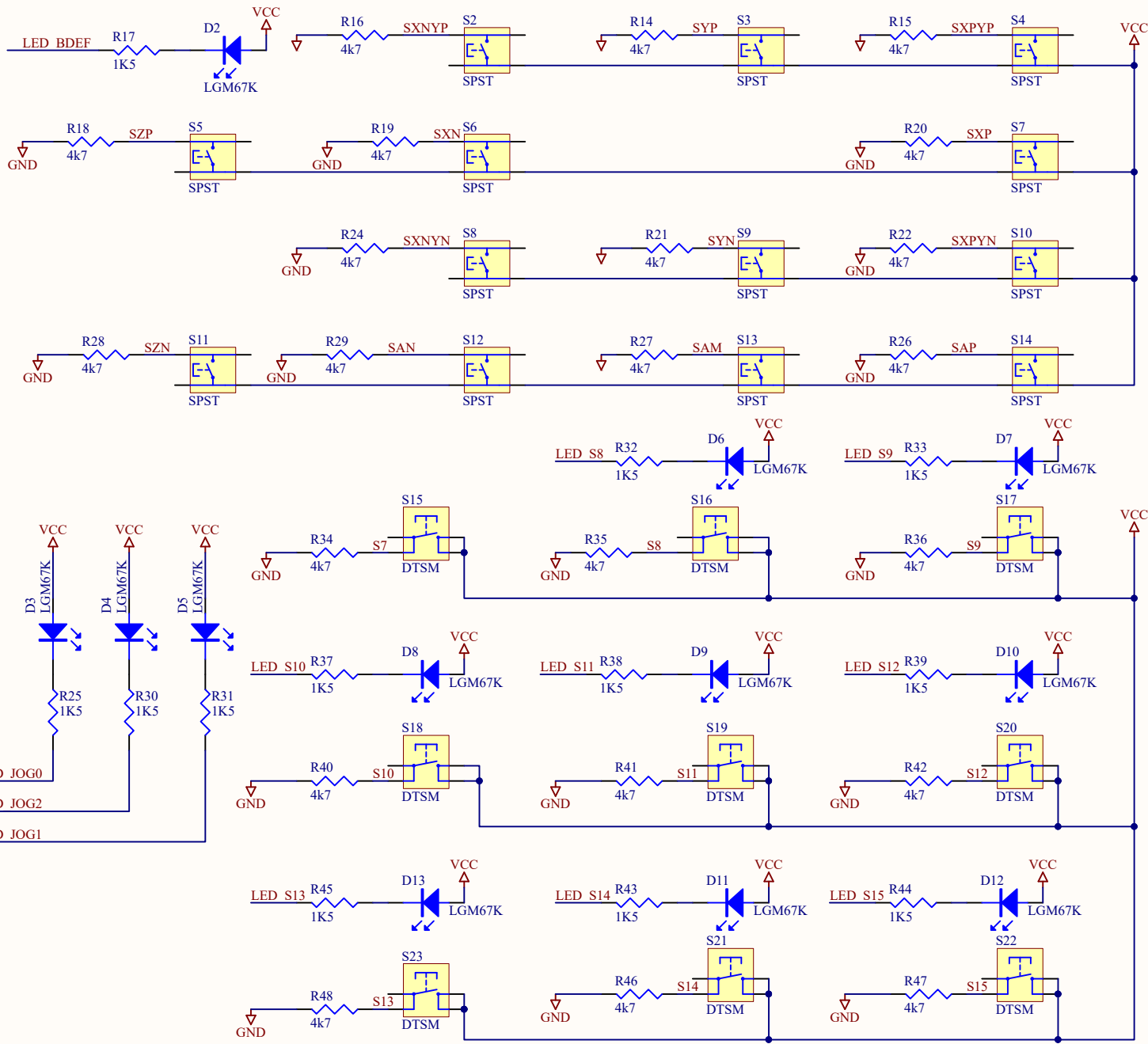
T1: BC817
 Widerstand auf die Basis mit 270 Ohm



Title: Controller	
Project: AKKON Handwheel W3	Project ID: B16003
Author: Gerhard Burger	
Approved:	
Date: 06.11.2017	Time: 10:06:53
Page: 3 of 8	
Version: 1.0	Schem. Rev.: 1.01
File: Controller.SchDoc	



This material is protected by copyright. All rights reserved.
 Please contact the publisher for permission to copy, distribute or reprint.



SAM	SAM
S7	S7
S8	S8
S9	S9
S10	S10
S11	S11
S12	S12
S13	S13
S14	S14
S15	S15

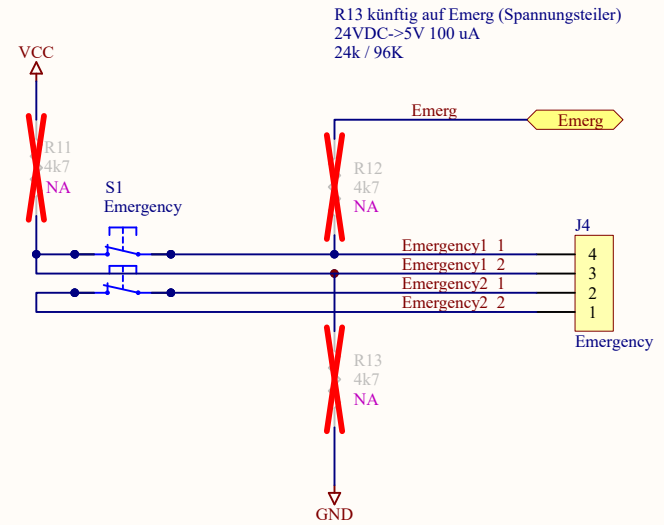
SXP	SXP
SXPYP	SXPYP
SYP	SYP
SXNYP	SXNYP
SXN	SXN
SXNYN	SXNYN
SYN	SYN
SXPYN	SXPYN
SZP	SZP
SZN	SZN
SAP	SAP
SAN	SAN

LED JOG0	LED JOG0
LED JOG1	LED JOG1
LED JOG2	LED JOG2
LED BDEF	LED BDEF
LED S7	LED S7
LED S8	LED S8
LED S9	LED S9
LED S10	LED S10
LED S11	LED S11
LED S12	LED S12
LED S13	LED S13
LED S14	LED S14
LED S15	LED S15

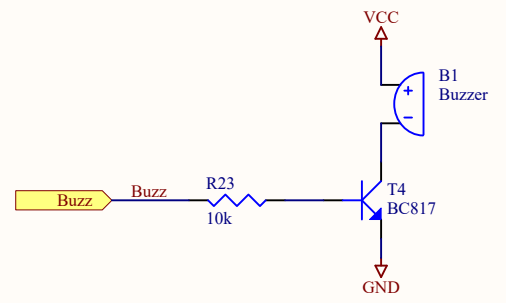
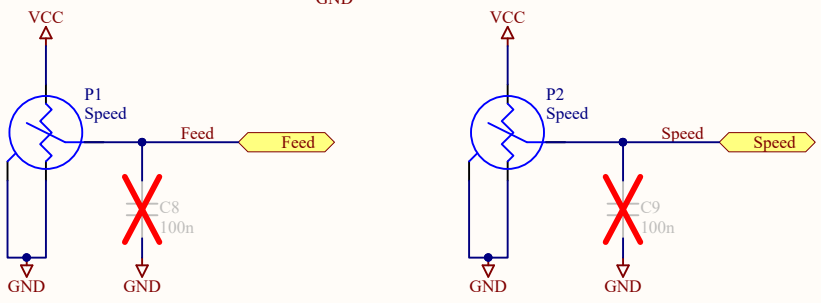
Title: Key pad	
Project: AKKON Handwheel W3	
Author: Gerhard Burger	Project ID: B16003
Approved:	
Date: 06.11.2017	Time: 10:06:53
Page: 4 of 8	
Version: 1.0	Schem. Rev.: 1.01
File: KeyPad.SchDoc	




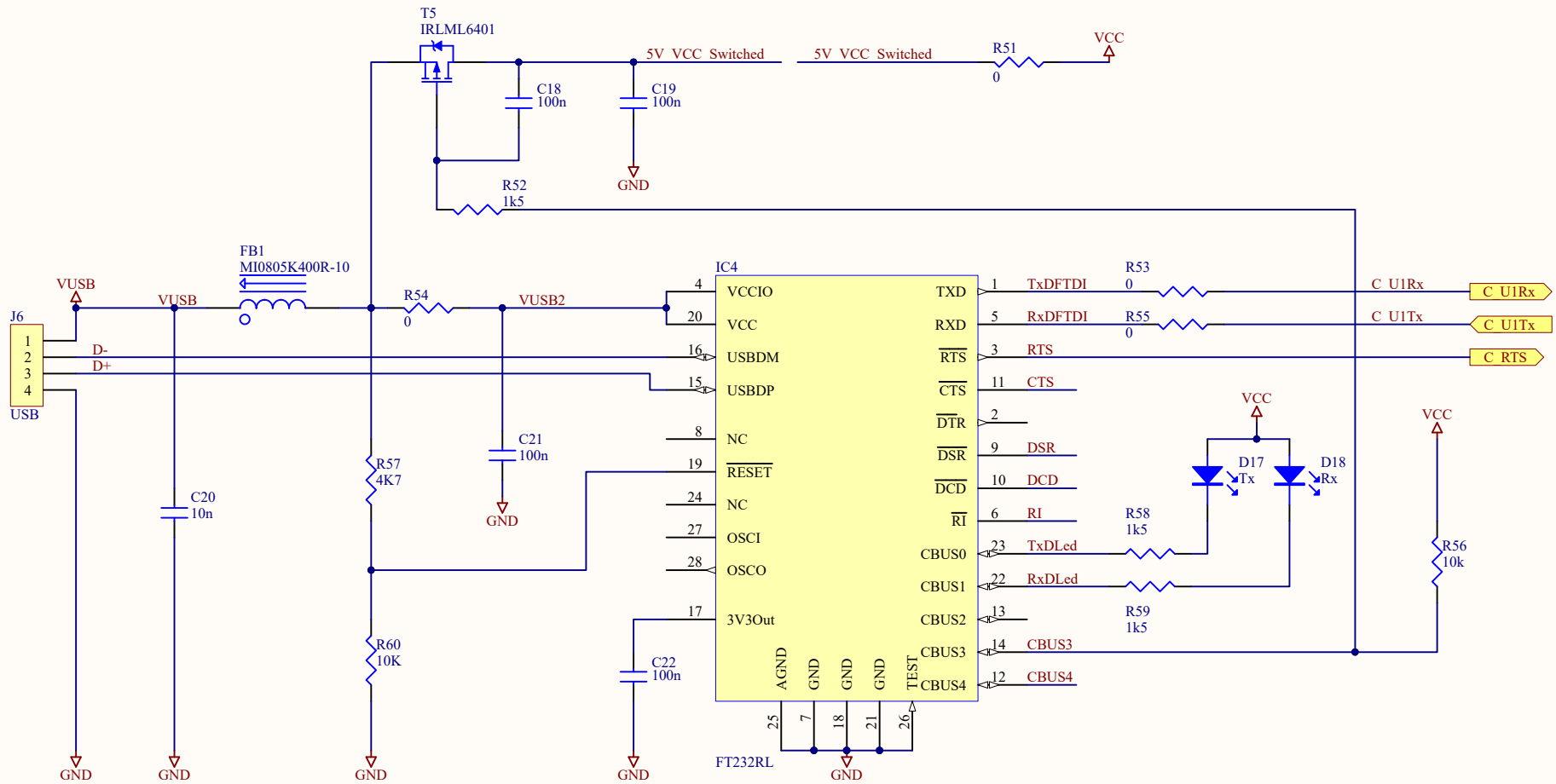
This material is protected by copyright. All rights reserved. Please contact the publisher for permission to copy, distribute or reprint.




alternative: 53UAD-T22-B15L

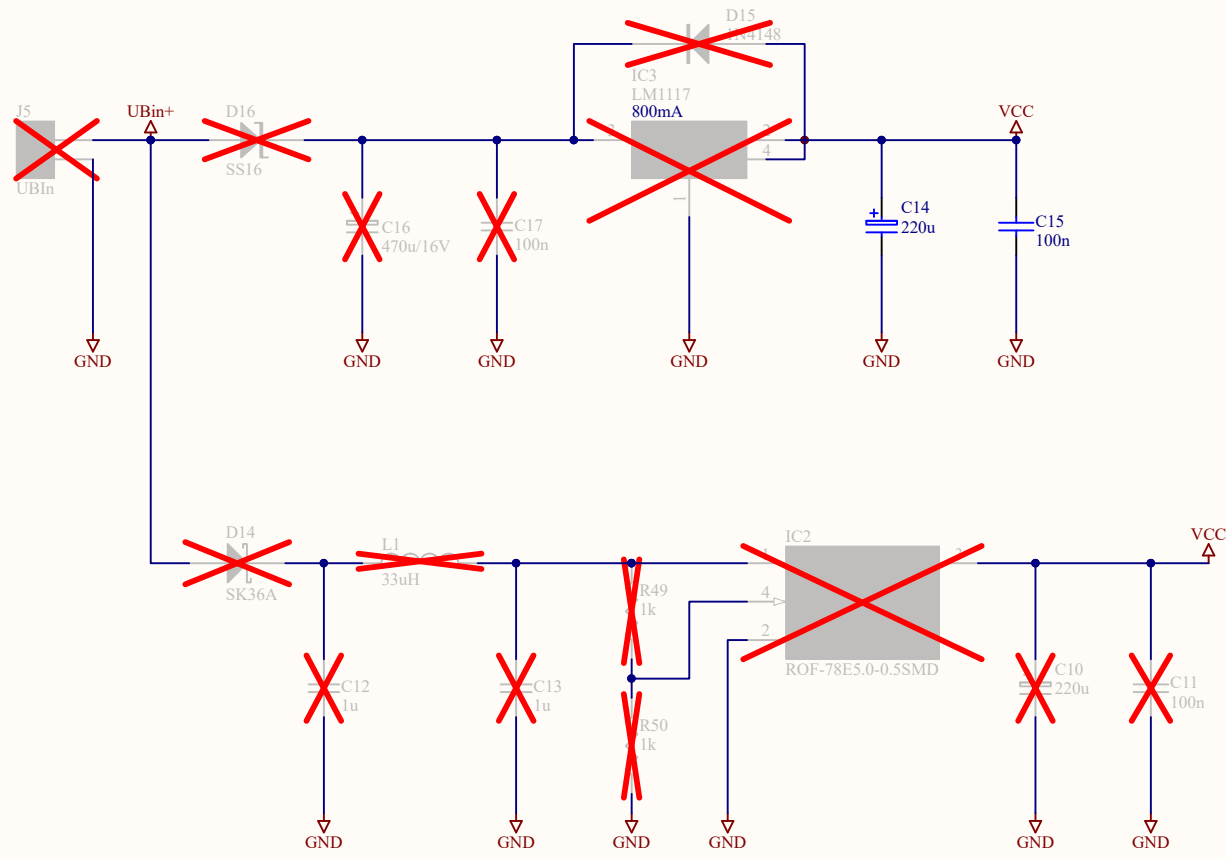



Title: Commun user interface		Project ID: B16003
Project: AKKON Handwheel W3		
Author: Gerhard Burger		 www.burger-web.com
Approved:		
Date: 06.11.2017	Time: 10:06:53	
Page: 5 of 8		
Version: 1.0	Schem. Rev.: 1.01	
File: CommonUI.SchDoc		A4



Title: USB driver		Project ID: B16003
Project: AKKON Handwheel W3		
Author: Gerhard Burger		 www.burger-web.com
Approved:		
Date: 06.11.2017	Time: 10:06:54	
Page: 6 of 8		
Version: 1.0	Schem. Rev.: 1.01	
File: UsbDriver.SchDoc		

This material is protected by copyright. All rights reserved.
Please contact the publisher for permission to copy, distribute or reprint.



Title: Power		Project ID: B16003
Project: AKKON Handwheel W3		
Author: Gerhard Burger		 www.burger-web.com
Approved:		
Date: 06.11.2017	Time: 10:06:54	
Page: 7 of 8		
Version: 1.0	Schem. Rev.: 1.01	
File: Power.SchDoc		

This material is protected by copyright. All rights reserved.
Please contact the publisher for permission to copy, distribute or reprint.