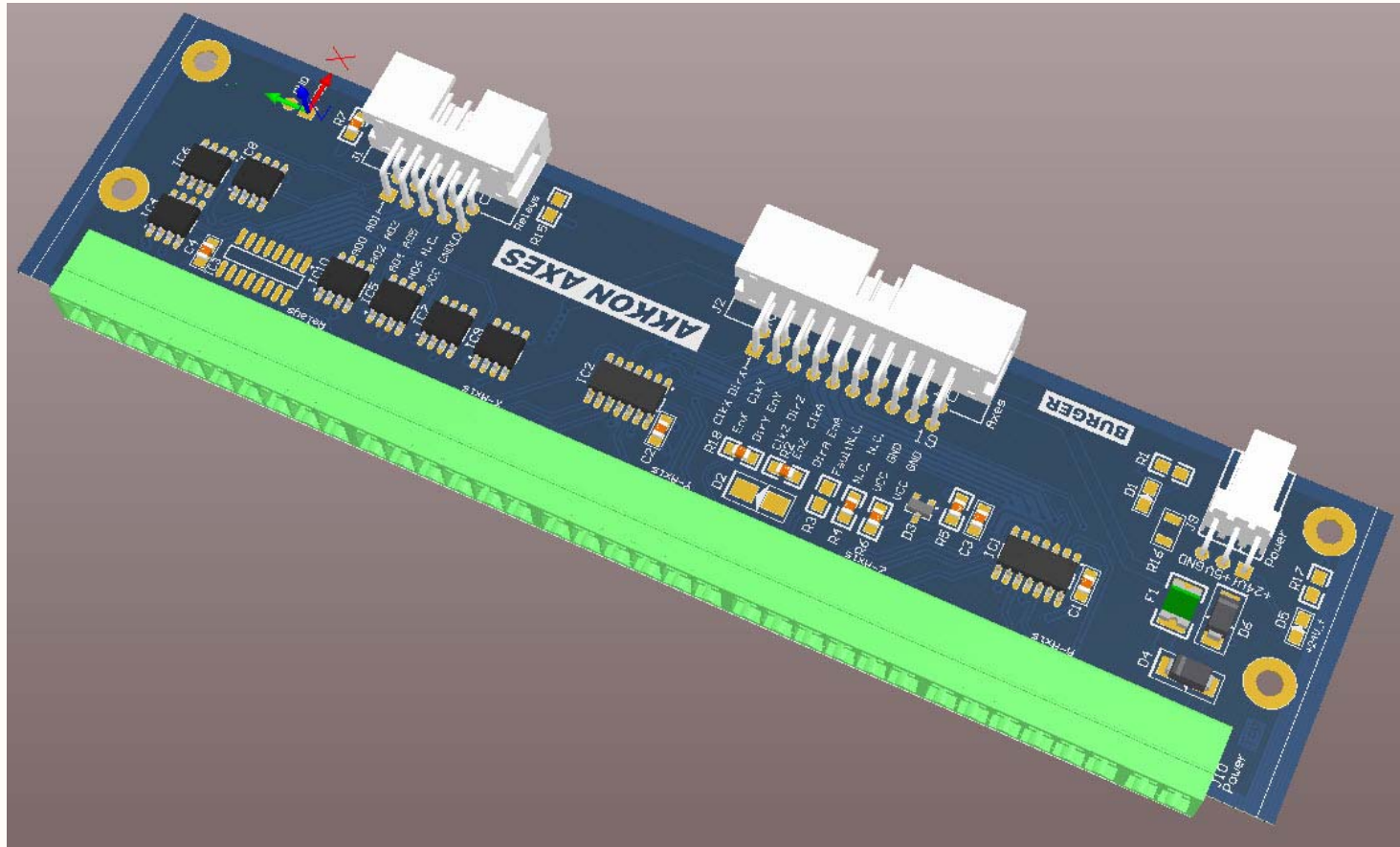



Project: AKKON AOM1000



Title: Overview		Project ID: ProjectID
Project: AKKON AOM1000		
Author: Gerhard Burger		 www.burger-web.com
Approved:		
Date: 06.11.2017	Time: 10:10:57	
Page: 1 of 8		
Version: 1.0a	Schem. Rev.: 1.01	
File: Overview.SchDoc		

This material is protected by copyright. All rights reserved.
 Please contact the publisher for permission to copy, distribute or reprint.

1

2

3

4

A

A

Project Overview
Overview.SchDoc



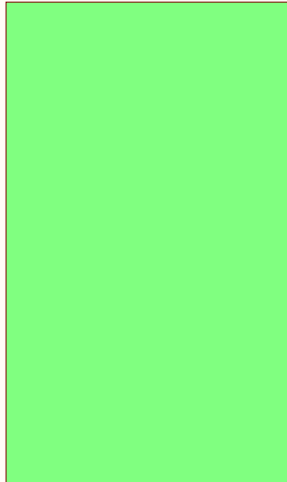
7 RelayDrivers
Outputdriver.SchDoc



B

B

4 AxisDrivers
Axes.SchDoc



C

C


Power
Power24V.SchDoc



D

D



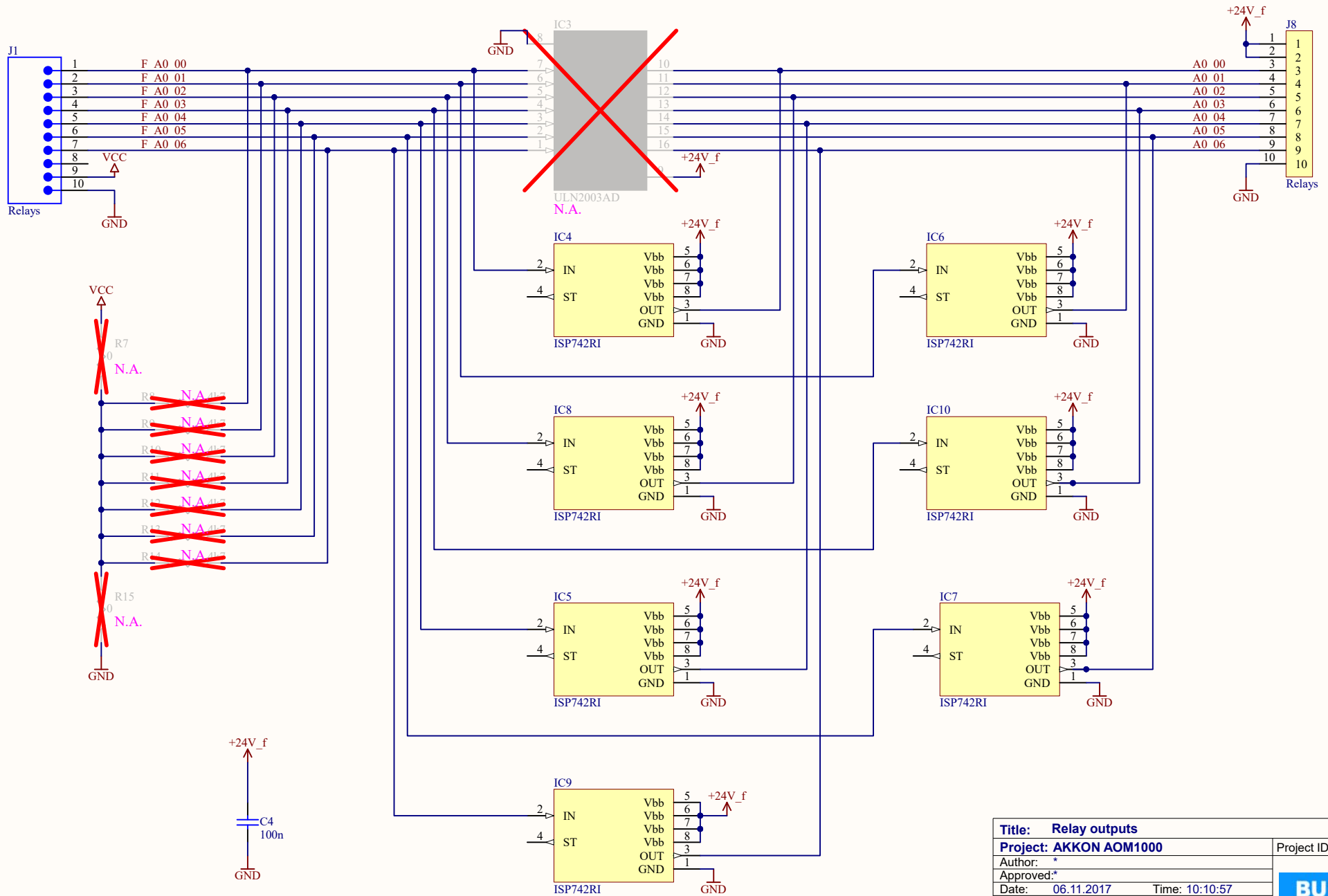
Title: Architecture		Project ID: ProjectID
Project: AKKON AOM1000		
Author: *		 www.burger-web.com
Approved:*		
Date: 06.11.2017	Time: 10:10:57	
Page: 2 of 8		
Version: 1.0a	Schem. Rev.: 1.01	
File: Akkon Axes.SchDoc		A4


1

2

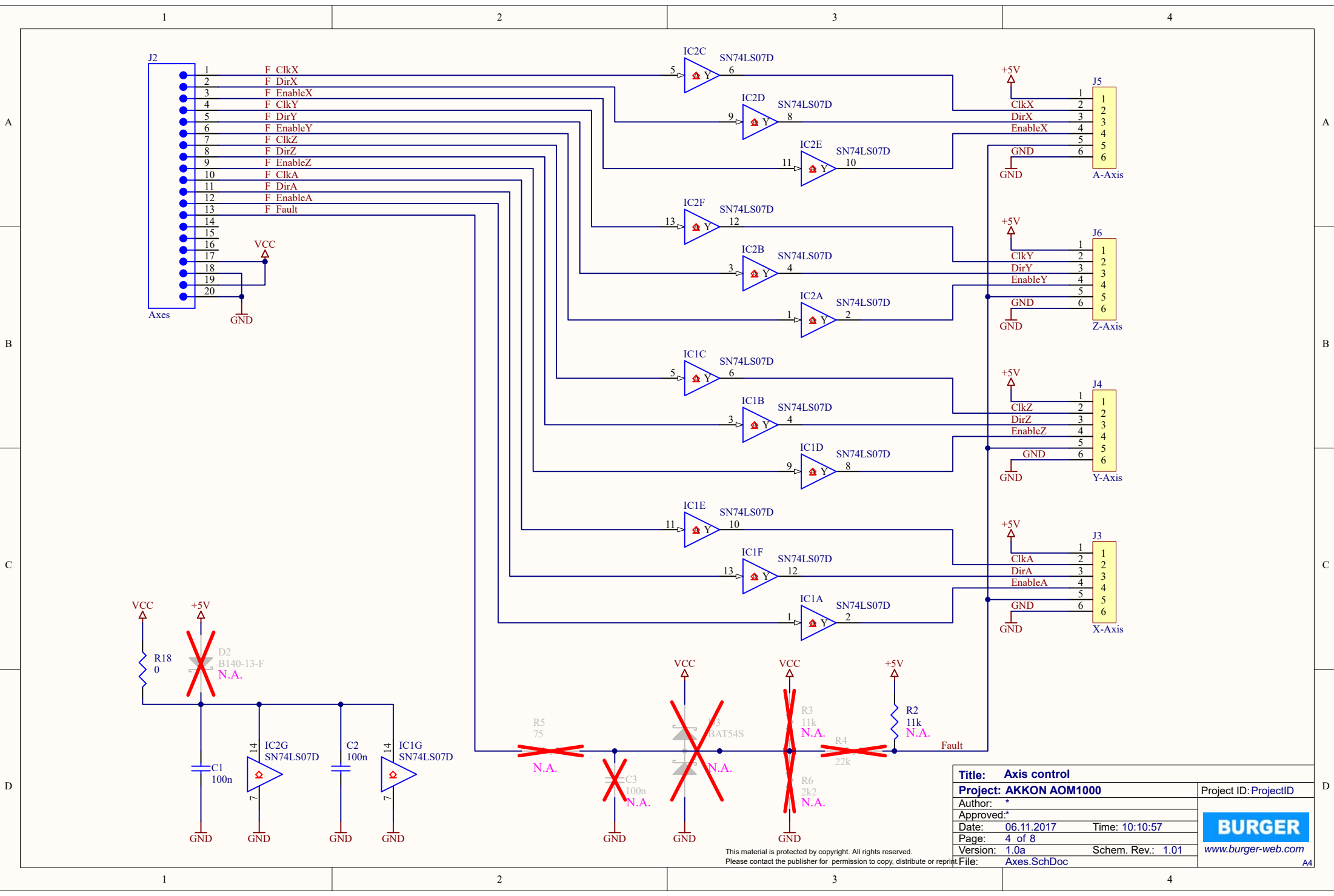
3


4



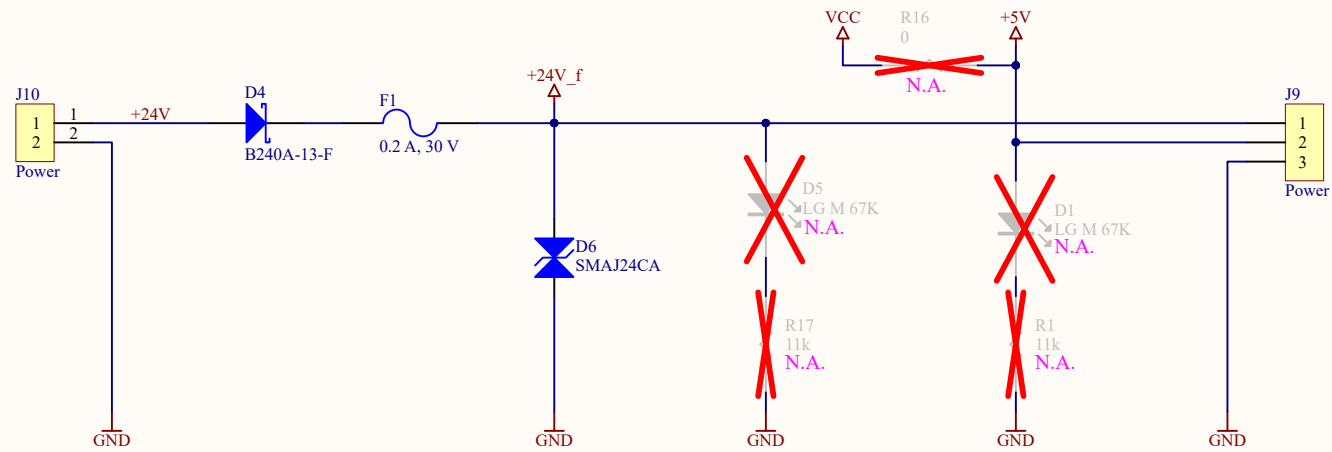
Title: Relay outputs		Project ID: ProjectID
Project: AKKON AOM1000		
Author: *		 www.burger-web.com
Approved:*		
Date: 06.11.2017	Time: 10:10:57	
Page: 3 of 8	Version: 1.0a	
File: Outputdriver.SchDoc		Schem. Rev.: 1.01


This material is protected by copyright. All rights reserved.
Please contact the publisher for permission to copy, distribute or reprint.



Title: Axis control		Project ID: ProjectID
Project: AKKON AOM1000		
Author: *		 www.burger-web.com
Approved: *		
Date: 06.11.2017	Time: 10:10:57	
Page: 4 of 8		
Version: 1.0a	Schem. Rev.: 1.01	
File: Axes.SchDoc		

This material is protected by copyright. All rights reserved.
Please contact the publisher for permission to copy, distribute or reprint.



Title: Power		Project ID: ProjectID
Project: AKKON AOM1000		
Author: *		 www.burger-web.com
Approved:*		
Date: 06.11.2017	Time: 10:10:57	
Page: 8 of 8		
Version: 1.0a	Schem. Rev.: 1.01	
File: Power24V.SchDoc		A4

This material is protected by copyright. All rights reserved.
Please contact the publisher for permission to copy, distribute or reprint.