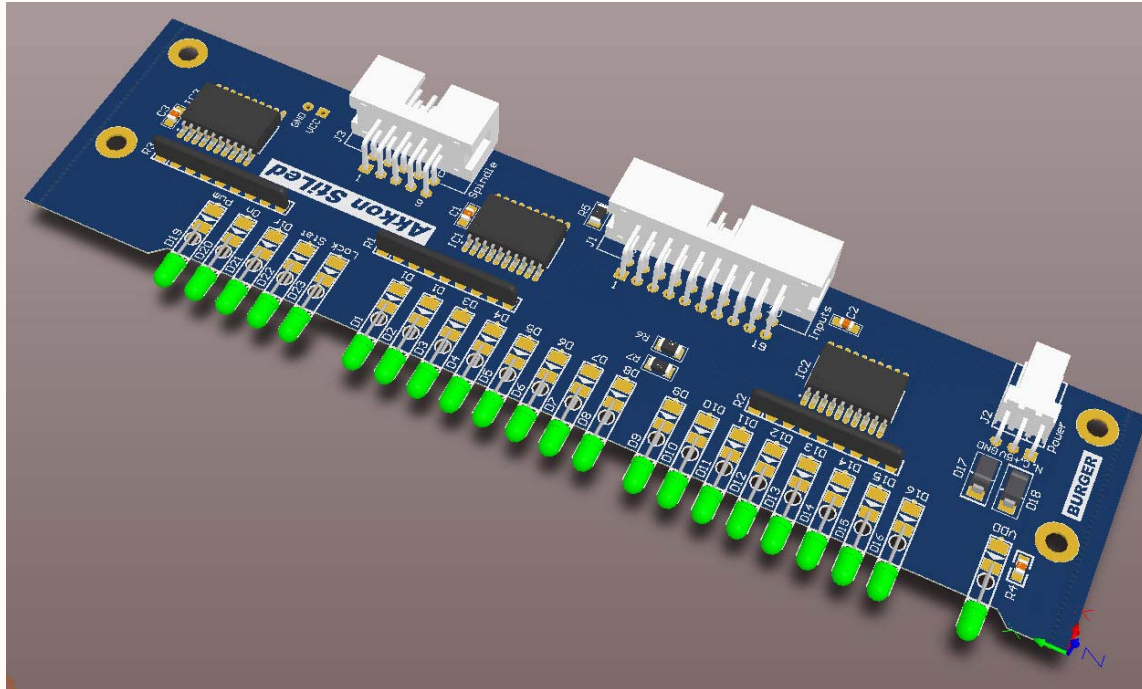


Project: AKKON AIV1001




Project Overview
InputLeds.SchDoc

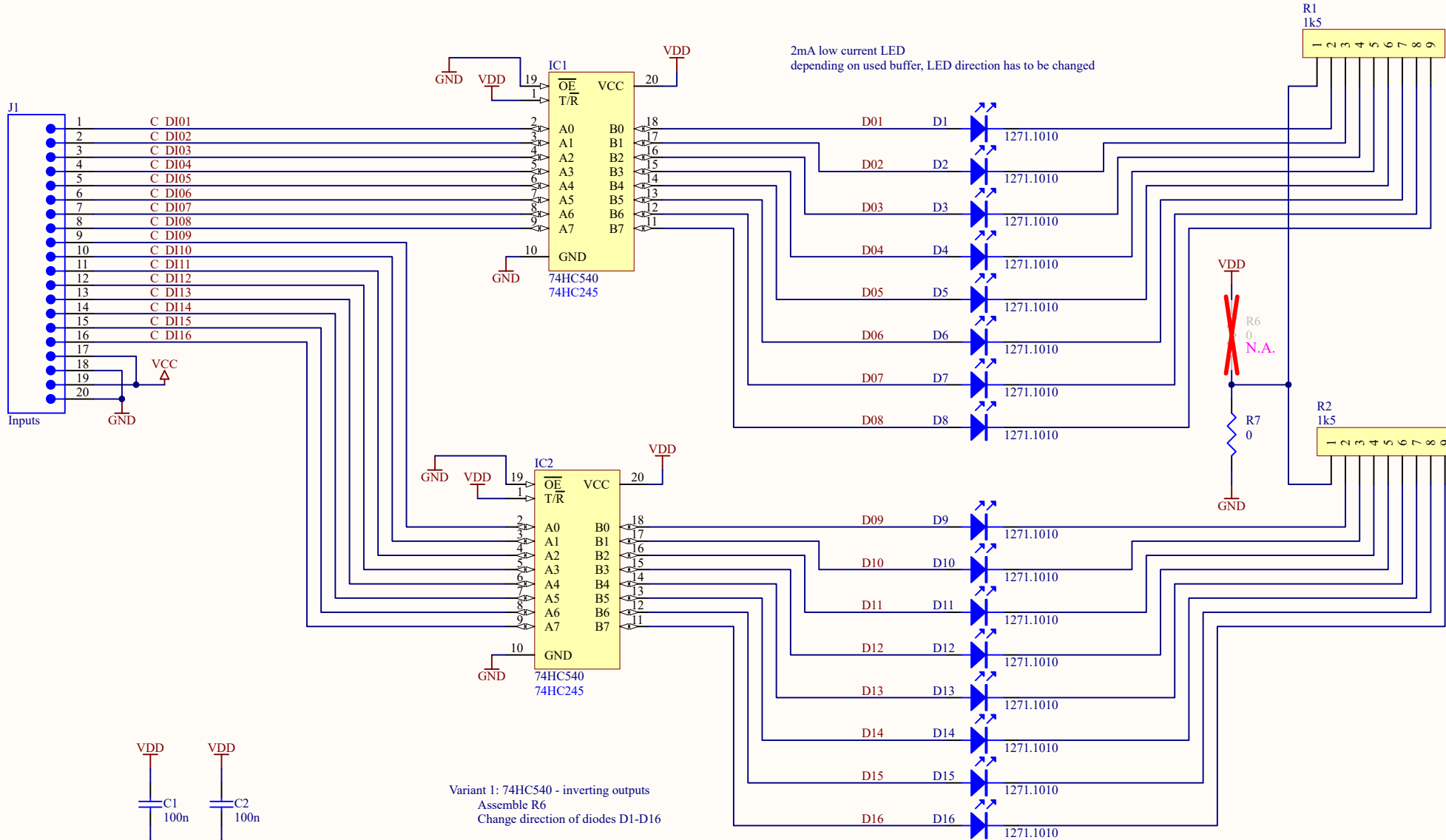


Project Overview
SpindleLeds.SchDoc



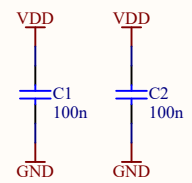
Title: Overview		Project ID: AIV1001
Project: AKKON AIV1001		
Author: Gerhard Burger		 www.burger-web.com
Approved:		
Date: 06.11.2017	Time: 10:08:49	
Page: 1 of 3		
Version: 1.0	Schem. Rev.: 1.01	
File: Overview.SchDoc		A4

This material is protected by copyright. All rights reserved.
Please contact the publisher for permission to copy, distribute or reprint.



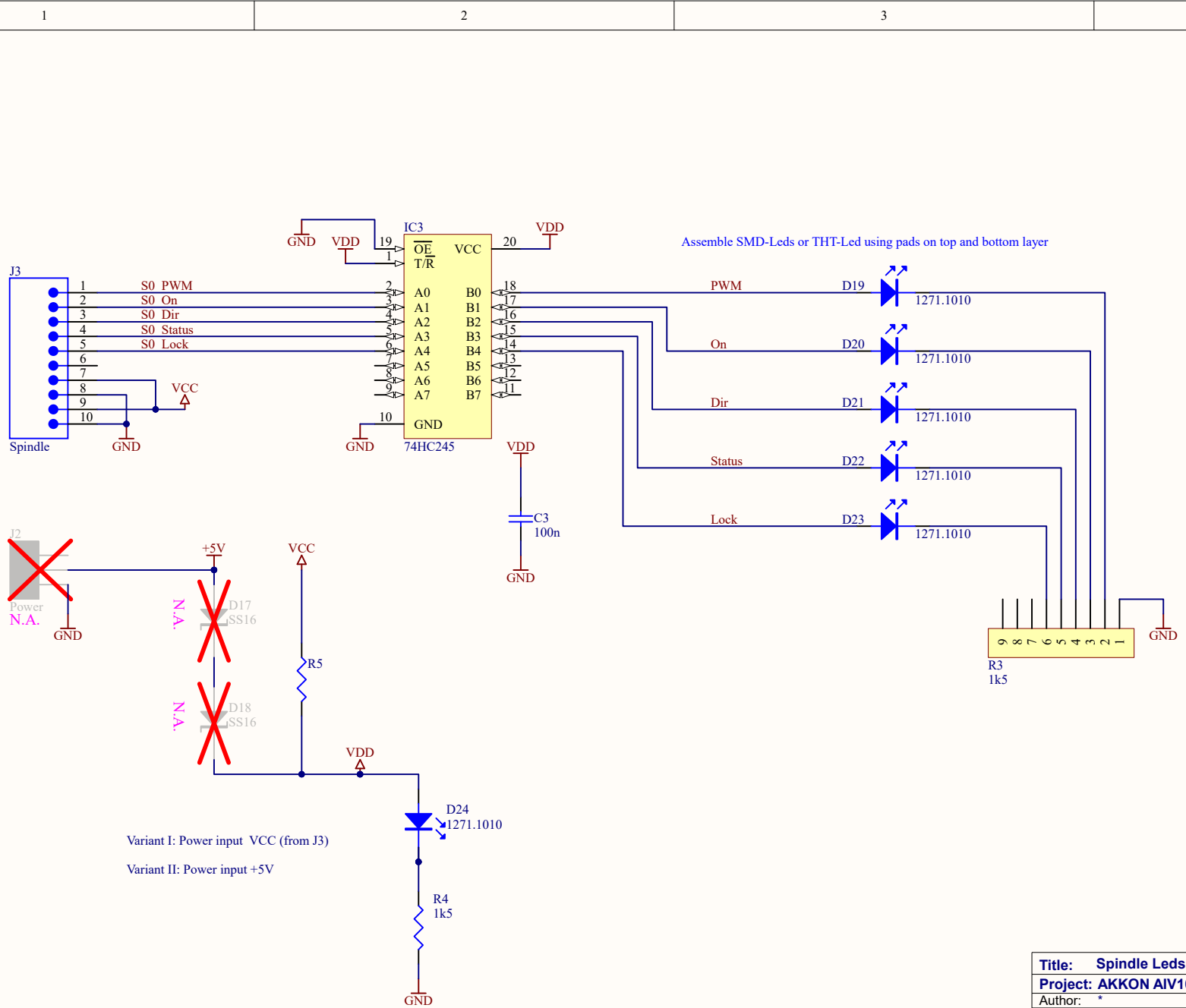
Variant 1: 74HC540 - inverting outputs
Assemble R6
Change direction of diodes D1-D16

Variant 2: 74HC245 - non inverting outputs
Assemble R7



Title: Input Leds		Project ID: AIV1001
Project: AKKON AIV1001		
Author: *		
Approved: *		
Date: 06.11.2017	Time: 10:08:49	
Page: 2 of 3		BURGER
Version: *		
Scheme Rev.: 1.01		
File: InputLeds.SchDoc		www.burger-web.com

This material is protected by copyright. All rights reserved.
Please contact the publisher for permission to copy, distribute or reprint.



Assemble SMD-Leds or THT-Led using pads on top and bottom layer

Variant I: Power input VCC (from J3)
 Variant II: Power input +5V

Title: Spindle Leds		Project ID: AIV1001	
Project: AKKON AIV1001			
Author: *			
Approved: *			
Date: 06.11.2017	Time: 10:08:49	BURGER www.burger-web.com	
Page: 3 of 3			
Version: *	Schem. Rev.: 1.01		
File: SpindleLeds.SchDoc			

This material is protected by copyright. All rights reserved.
 Please contact the publisher for permission to copy, distribute or reprint.