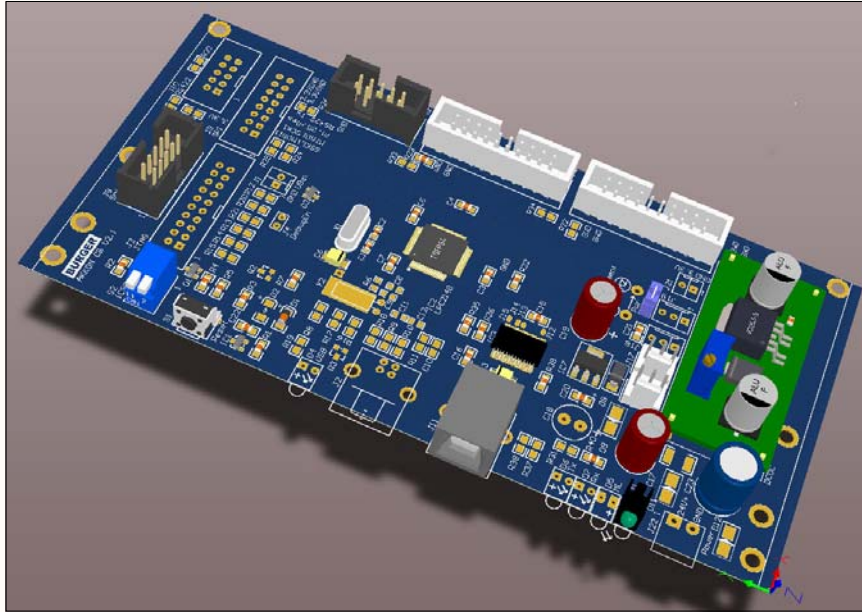


Project: AKKON LPC
 Project number: B13003




Anderungsjournal

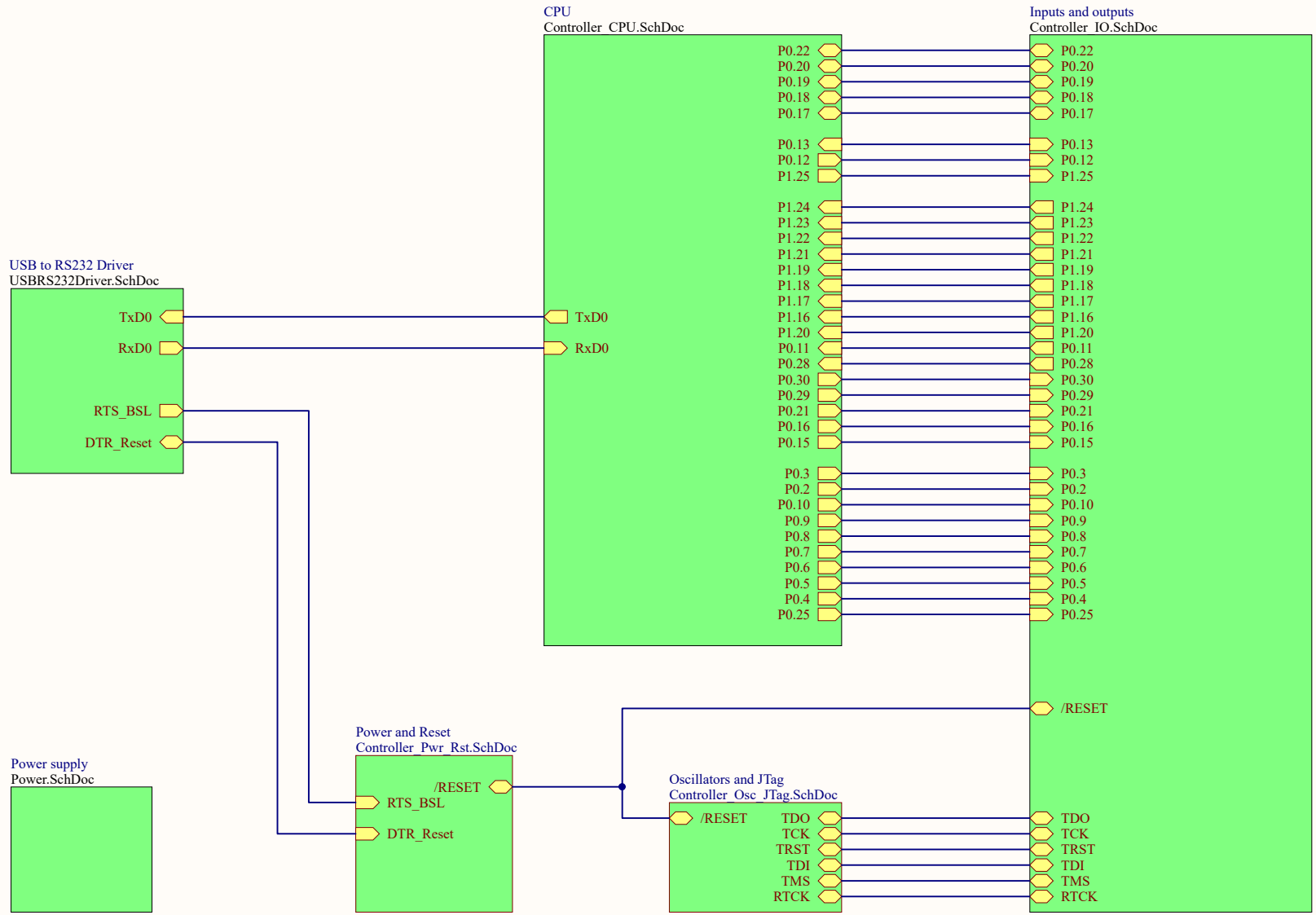
Ver	Datum	Änderungen	Schem. Rev.
V2.1	31.01.2013	first version	2.1.00
V2.1	02.11.2017	improved part list and some text	2.1.01
V2.1	07.11.2017	improved schematics	2.1.02
V2.1	07.11.2017	restructured schematics	2.1.03
V2.1	07.11.2017	restructured schematics	2.1.04



PCB1
 Printed Circuit Board (Bare)
 Akkon.Pcb


Title: Project overview		Project ID: B13003
Project: AKKON LPC		
Author: Gerhard Burger		 www.burger-web.com
Approved:*		
Date: 08.11.2017	Time: 15:22:11	
Page: 1 of 8		
Version: 2.1	Schem. Rev.: 2.1.04	
File: Overview.SchDoc		

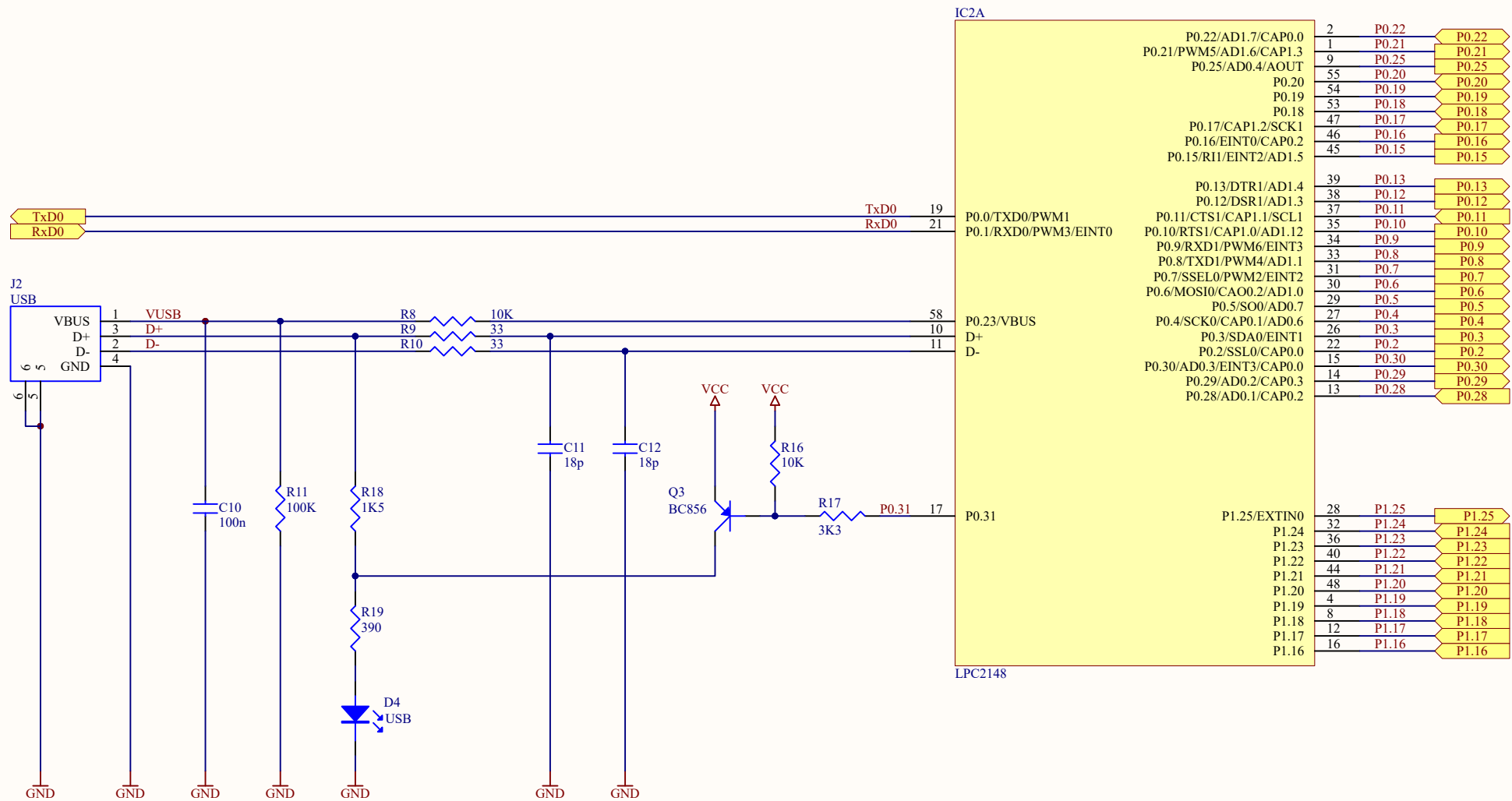
This material is protected by copyright. All rights reserved.
 Please contact the publisher for permission to copy, distribute or reprint.




Project Overview
Overview.SchDoc

MOUNTS
Mounts.SchDoc

Title: AKkon Controller Board		Project ID: B13003
Project: AKKON LPC		
Author: Gerhard Burger		 www.burger-web.com
Approved:		
Date: 08.11.2017	Time: 15:22:11	
Page: 2 of 8	Version: 2.1.03	
File: TopDesign.SchDoc		Schem. Rev.: 2.1.04

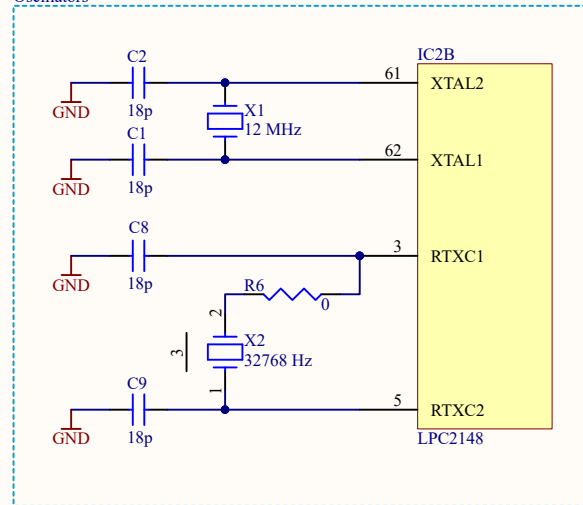


Pin	Function	Pin	Function
2	P0.22	P0.22	AD1.7/CAP0.0
1	P0.21	P0.21	AD1.6/CAP1.3
9	P0.25	P0.25	AD0.4/AOUT
55	P0.20	P0.20	P0.20
54	P0.19	P0.19	P0.19
53	P0.18	P0.18	P0.18
47	P0.17	P0.17	P0.17
46	P0.16	P0.16	P0.16
45	P0.15	P0.15	P0.15
39	P0.13	P0.13	P0.13
38	P0.12	P0.12	P0.12
37	P0.11	P0.11	P0.11
35	P0.10	P0.10	P0.10
34	P0.9	P0.9	P0.9
33	P0.8	P0.8	P0.8
31	P0.7	P0.7	P0.7
30	P0.6	P0.6	P0.6
29	P0.5	P0.5	P0.5
27	P0.4	P0.4	P0.4
26	P0.3	P0.3	P0.3
22	P0.2	P0.2	P0.2
15	P0.30	P0.30	P0.30
14	P0.29	P0.29	P0.29
13	P0.28	P0.28	P0.28
28	P1.25	P1.25	P1.25
32	P1.24	P1.24	P1.24
36	P1.23	P1.23	P1.23
40	P1.22	P1.22	P1.22
44	P1.21	P1.21	P1.21
48	P1.20	P1.20	P1.20
4	P1.19	P1.19	P1.19
8	P1.18	P1.18	P1.18
12	P1.17	P1.17	P1.17
16	P1.16	P1.16	P1.16

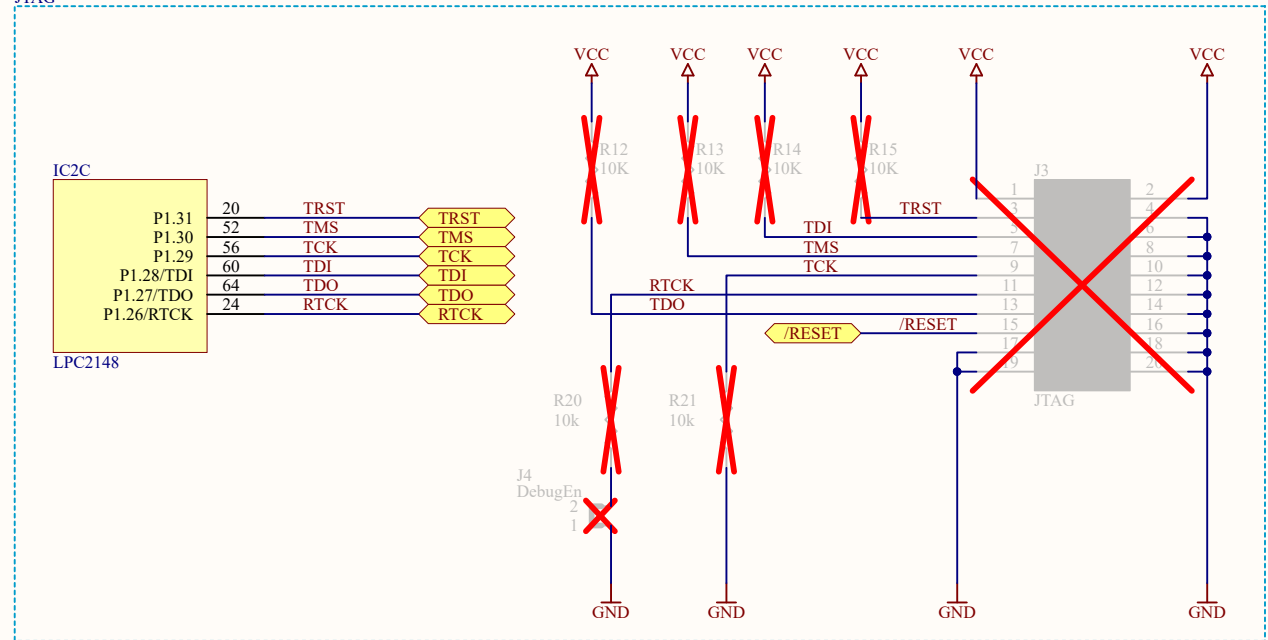
Title: Controller CPU		Project ID: B13003	
Project: AKKON LPC			
Author: *			
Approved:*			
Date: 08.11.2017	Time: 15:22:11	 www.burger-web.com	
Page: 3 of 8			
Version: 2.1	Schem. Rev.: 2.1.04		
File: Controller_CPU.SchDoc			

This material is protected by copyright. All rights reserved.
Please contact the publisher for permission to copy, distribute or reprint.

Oscillators

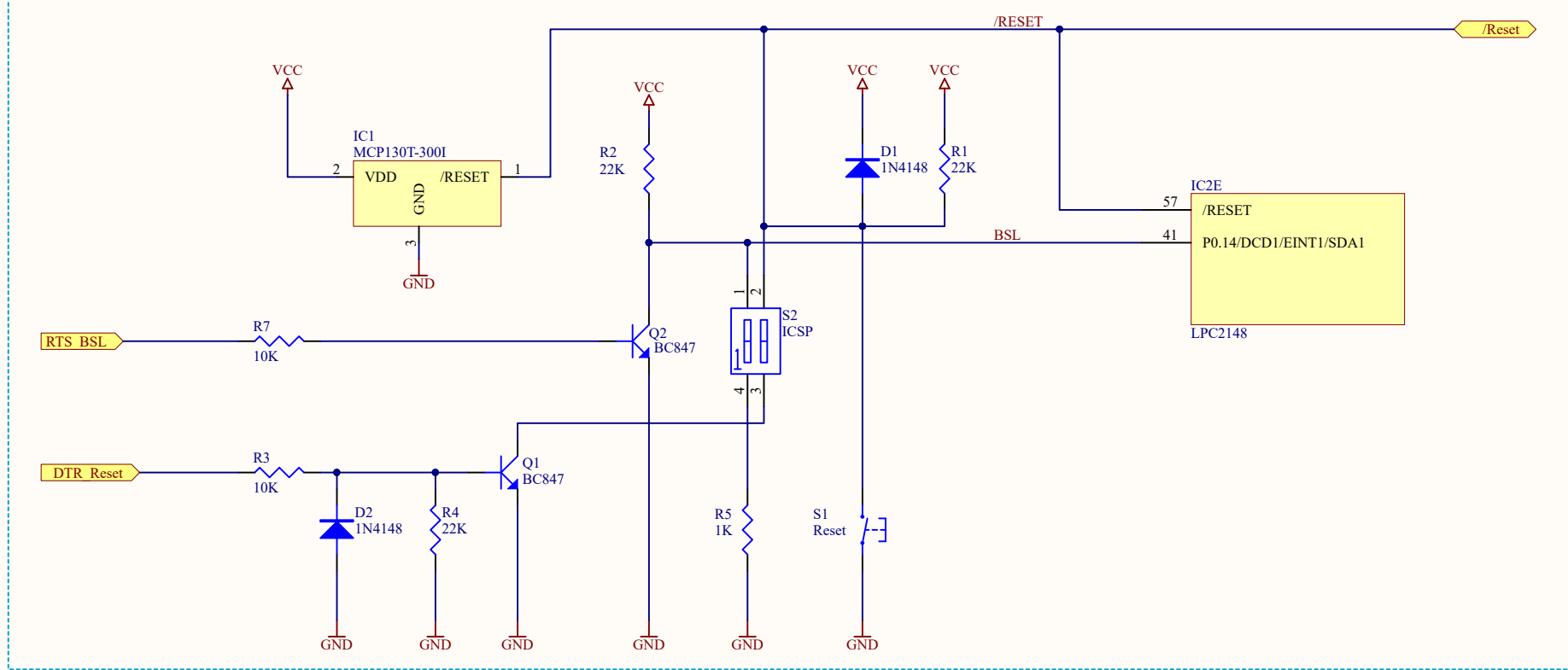


JTAG

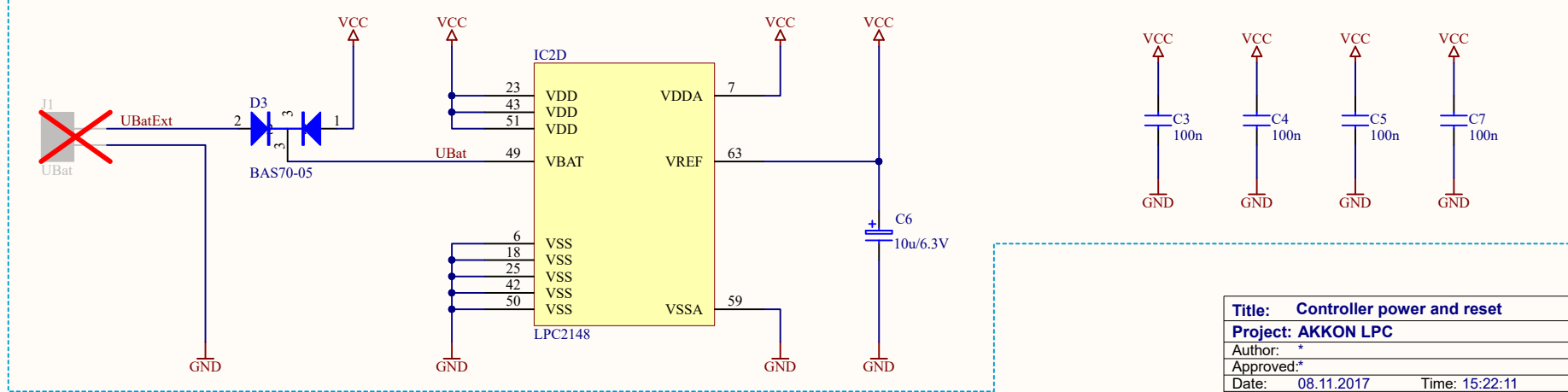



Title: Controller oscillators and JTAG		Project ID: B13003	
Project: AKKON LPC			
Author: *			
Approved:*			
Date: 08.11.2017	Time: 15:22:11	BURGER www.burger-web.com	
Page: 4 of 8			
Version: *	Schem. Rev.: 2.1.04		
File: Controller_Osc_JTag.SchDoc			

Reset and boot strap

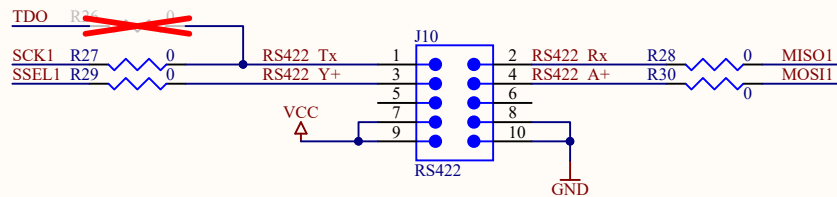
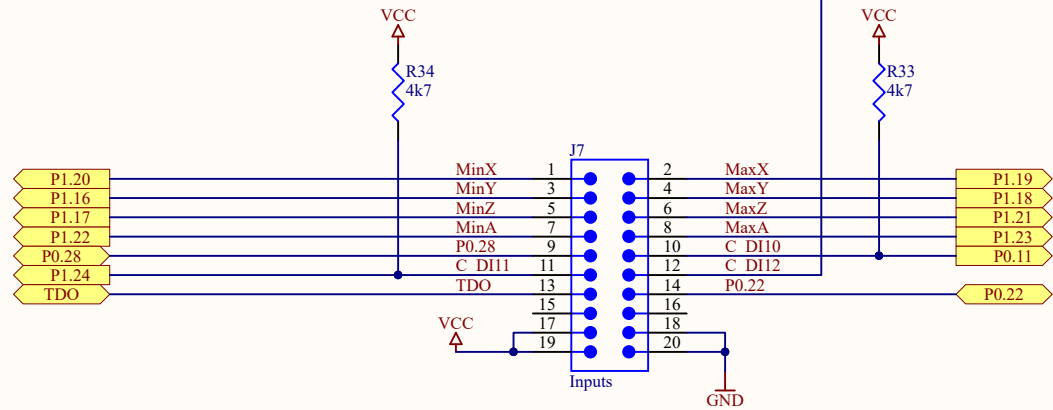
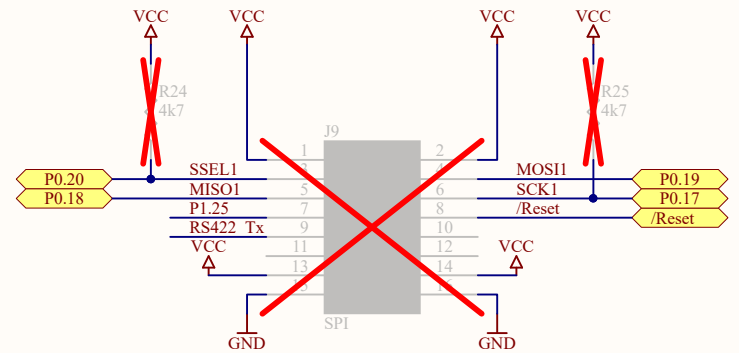
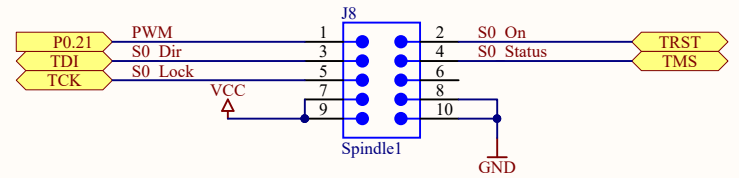
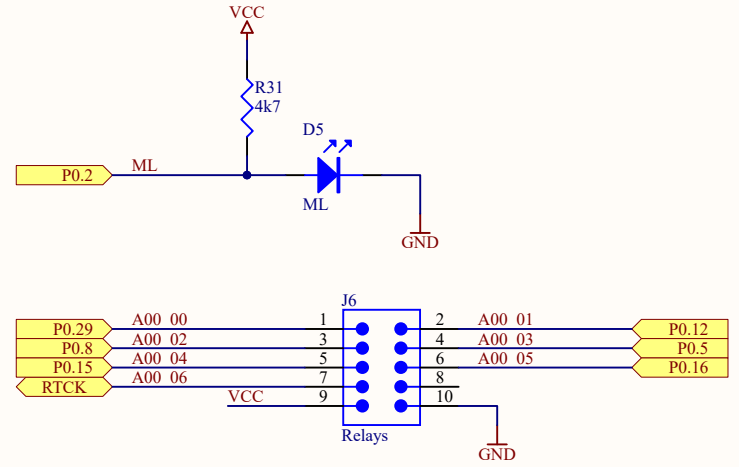
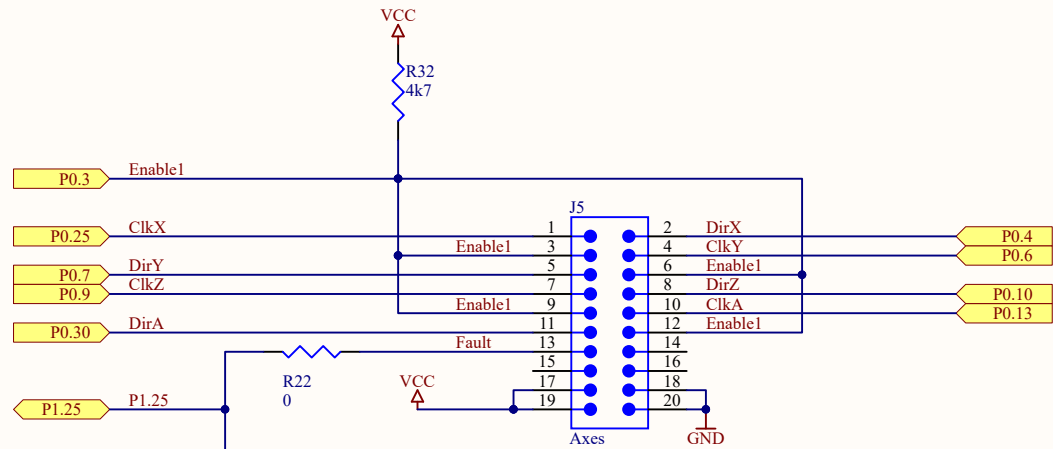


Power



Title: Controller power and reset		Project ID: B13003
Project: AKKON LPC		
Author: *		 www.burger-web.com
Approved: *		
Date: 08.11.2017	Time: 15:22:11	
Page: 5 of 8	Version: *	
Schem. Rev.: 2.1.04		
File: Controller_Pwr_Rst.SchDoc		

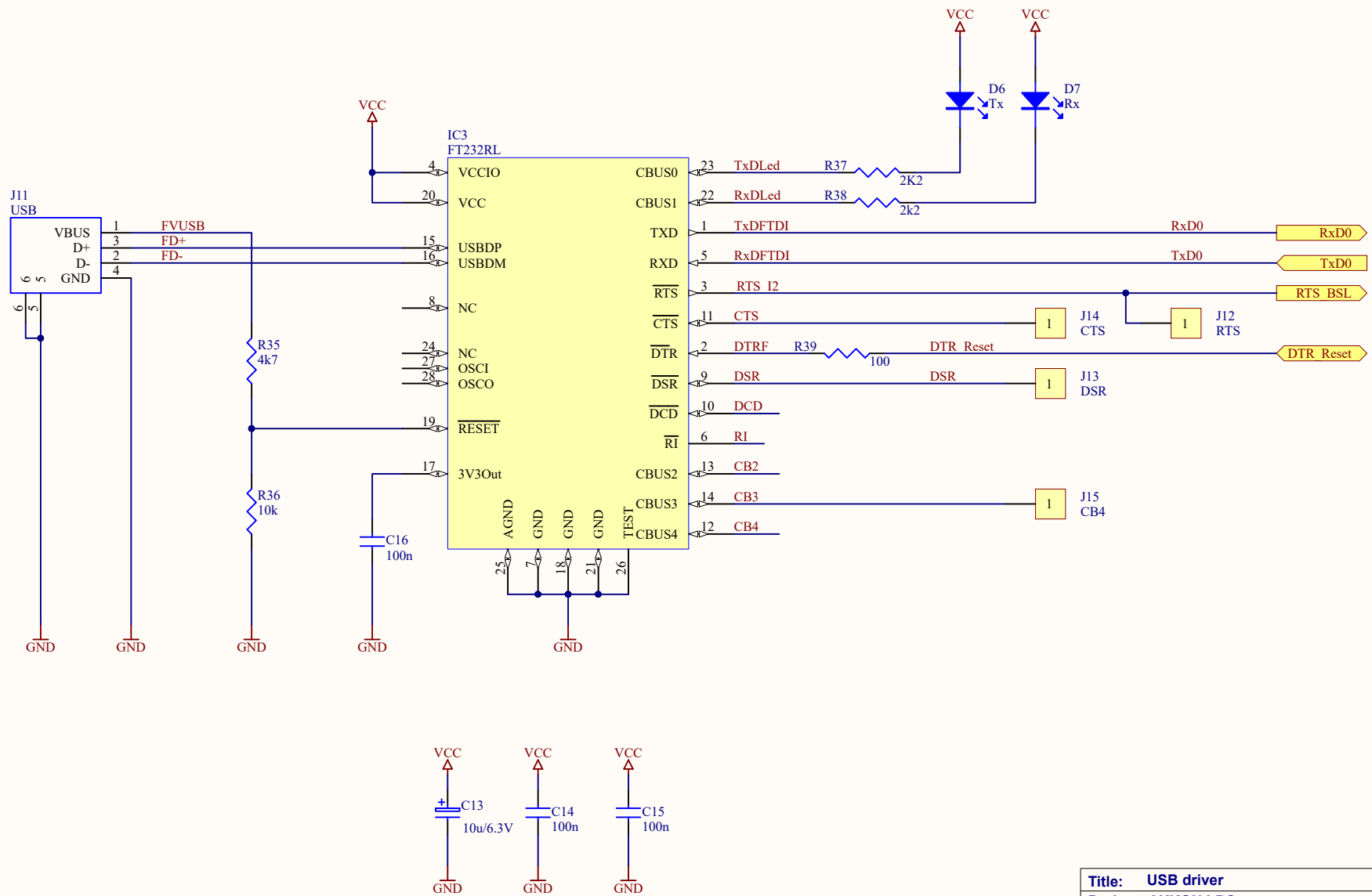
This material is protected by copyright. All rights reserved. Please contact the publisher for permission to copy, distribute or reprint.




Title: Controller inputs and outputs

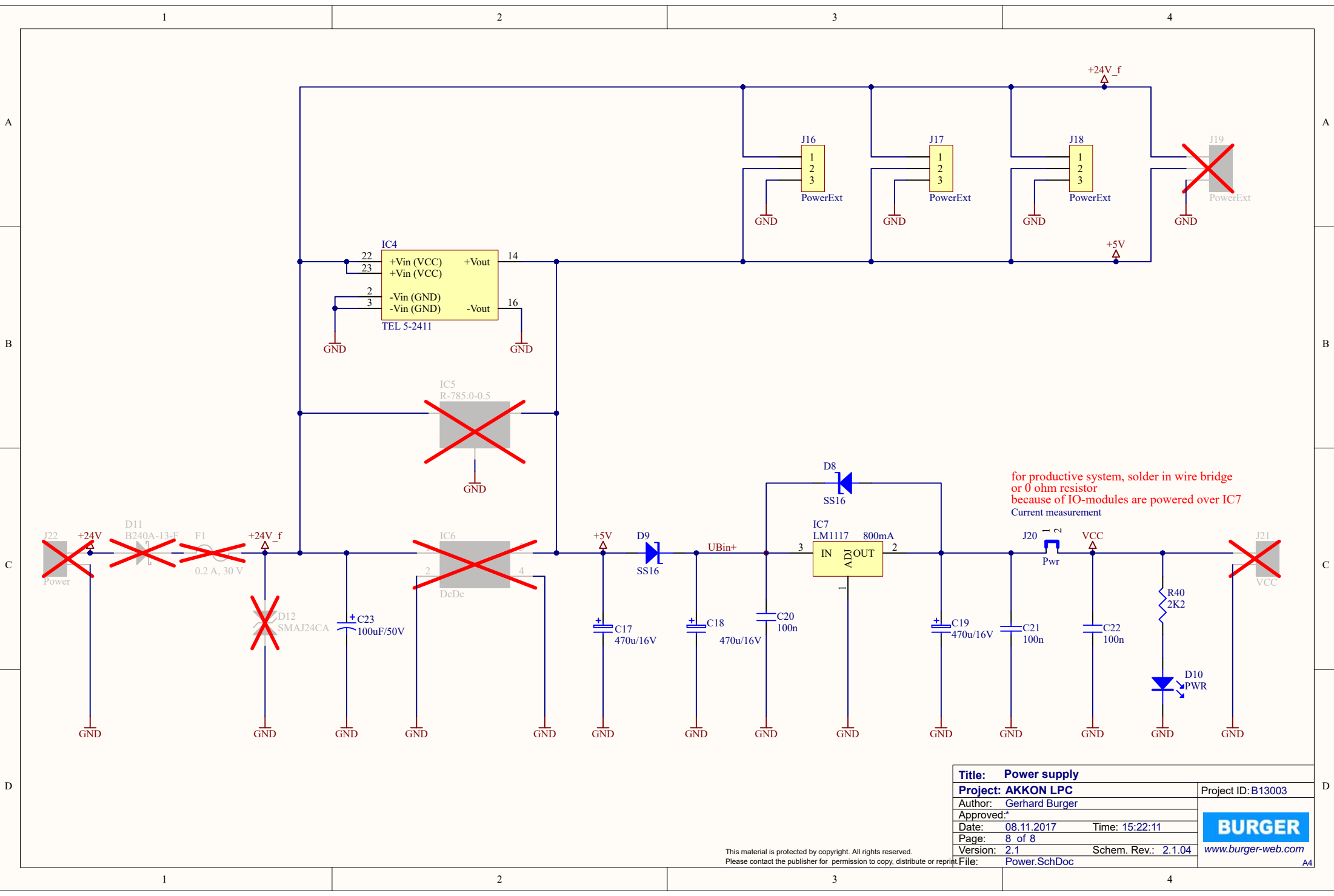
Project: AKKON LPC		Project ID: B13003
Author: Gerhard Burger		BURGER www.burger-web.com
Approved:		
Date: 08.11.2017	Time: 15:22:11	
Page: 6 of 8	Version: 2.1	
Schem. Rev.: 2.1.04		File: Controller_IO.SchDoc

This material is protected by copyright. All rights reserved. Please contact the publisher for permission to copy, distribute or reprint.



Title: USB driver		Project ID: B13003
Project: AKKON LPC		
Author: Gerhard Burger		 www.burger-web.com
Approved:*		
Date: 08.11.2017	Time: 15:22:11	
Page: 7 of 8	Version: 2.1	
Schem. Rev.: 2.1.04		
File: UsbRs232Driver.SchDoc		

This material is protected by copyright. All rights reserved.
Please contact the publisher for permission to copy, distribute or reprint.



Title: Power supply		Project ID: B13003
Project: AKKON LPC		
Author: Gerhard Burger		BURGER www.burger-web.com
Approved:		
Date: 08.11.2017	Time: 15:22:11	
Page: 8 of 8	Version: 2.1	
Schem. Rev.: 2.1.04		File: Power.SchDoc

This material is protected by copyright. All rights reserved. Please contact the publisher for permission to copy, distribute or reprint.