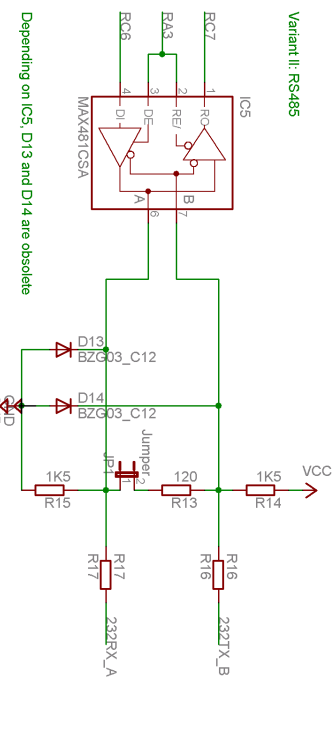
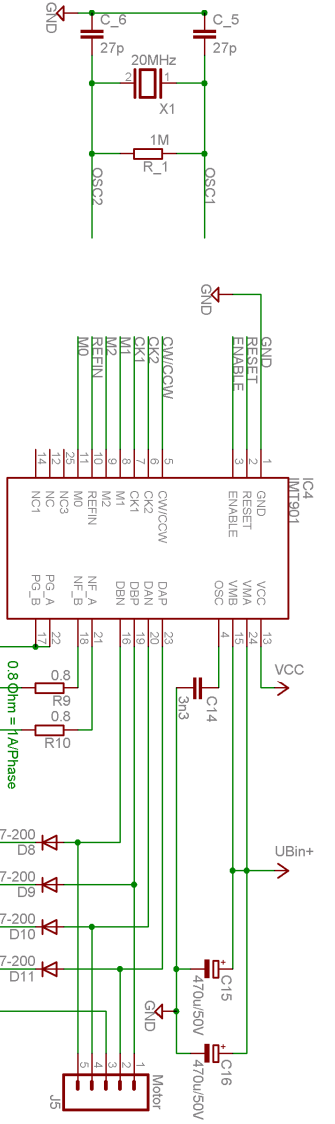


Variant I: RS232

Variant II: RS485



Depending on IC5, D13 and D14 are obsolete

